



PORTABLE LED STRIP

QS-CB-406-3W

Main Features

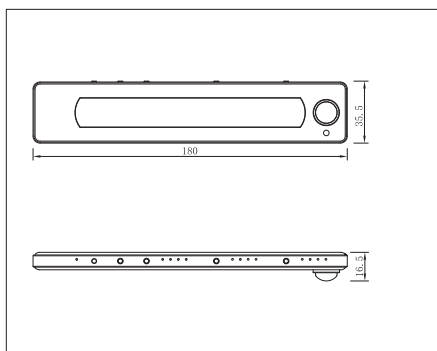
- Wireless portable light, no need any hassle wiring.
- Used as normal light, desk light, emergency light, luminance sensing light or motion sensor light
- Set all your needs by 4 levels of brightness, luminance sensing, motion sensing range & timing ON/OFF;
- USB rechargeable with built-in polymer lithium battery.
- Variety installation of magnetic attracting, 3M sticking, hanging.

Parameter

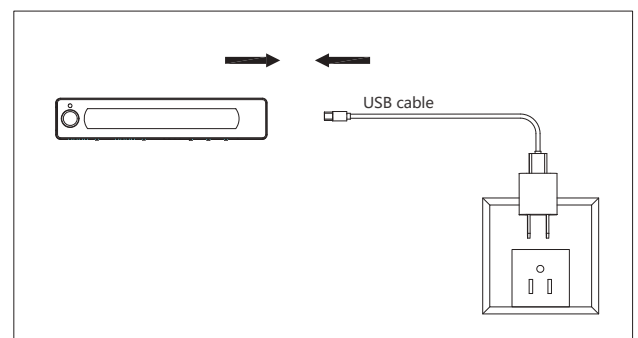
RoHS CE 

Power supply	Rechargeable battery
Charging method	USB
Power source	SMD LED
Color Temp	3000/4000/5500/6000K
Power wattage	3W
Lumen	200lm
CRI (Ra)	>80
IP grade	IP20
Size	L180 x W35 x H10 mm
Fixture color	Matt white finish

Size

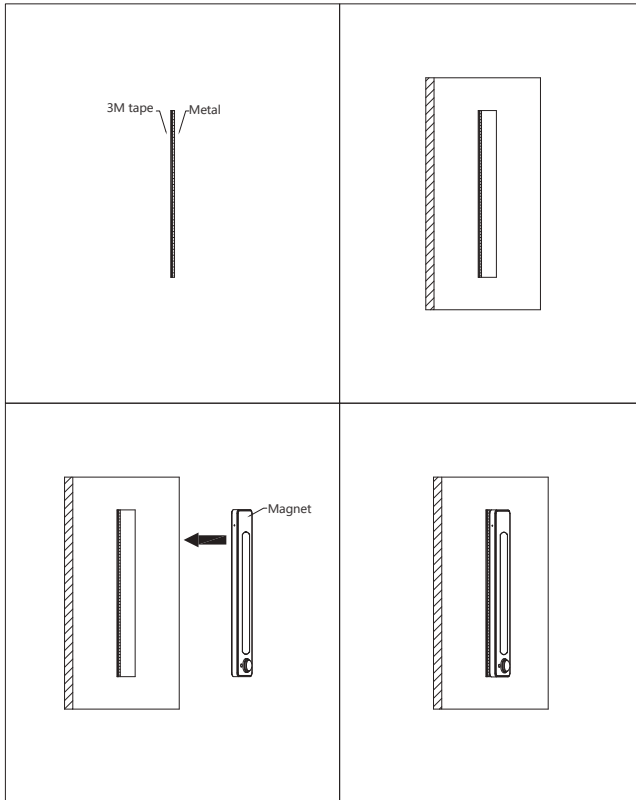


Recharge Method

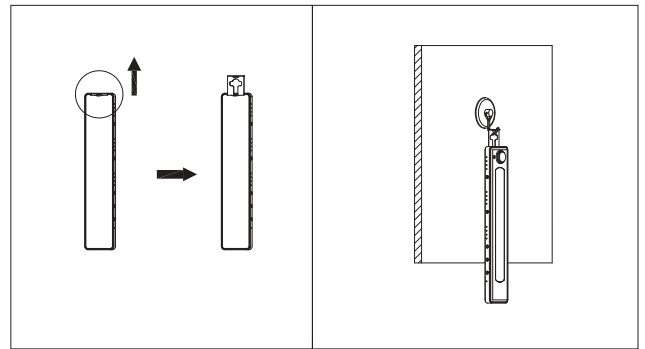


Installation

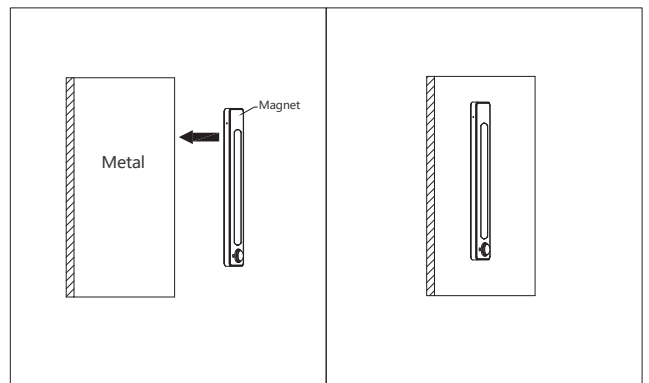
Installation Way 1



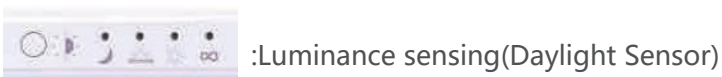
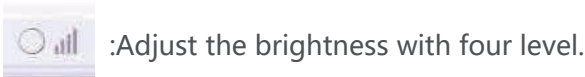
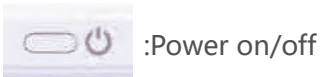
Installation Way 2



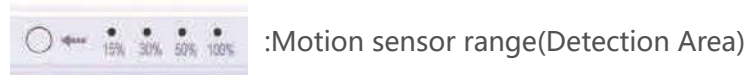
Installation Way 3



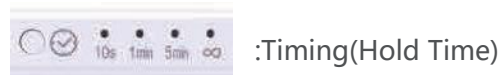
Function in details



- :When the natural light is insufficient(<5lux), the light will be on.
- :When the sun is rising or goes down(<15lux), the light will be on.
- :When the natural light is sufficient(<25lux), the light will be on.
- :The daylight sensor is disabled.



- 15%:Range up to 1m.
- 30%:Range up to 2m.
- 50%:Range up to 3m.
- 100%:Range up to 6m.



- 10s: The light will be off after 10 seconds.
- 1min:The light will be off after 1 minutes.
- 5min:The light will be off after 5 minutes.
- ∞: Timing function is disabled.

